

XD 8



GÁNDARA
SU EQUIPO EN CIMENTACIÓN

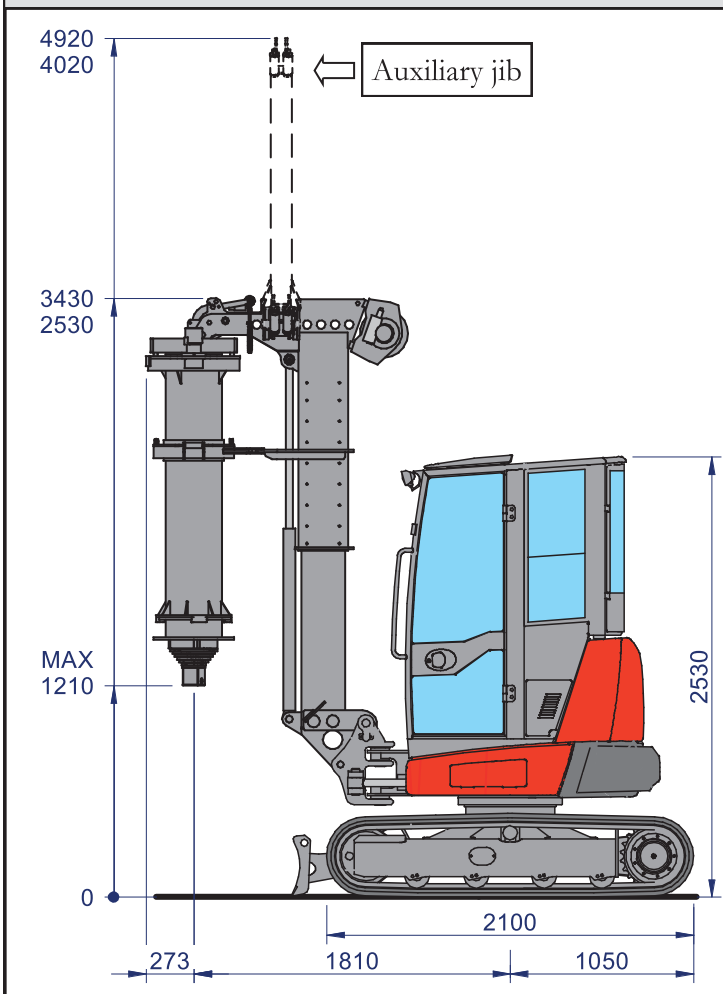
MINI PILING RIG

Cristóbal de Olid # 498, Col. Reforma
Veracruz, Ver. México C.P. 91919
Teléfono: +52(229)100-22-01
info@gandara.com.mx
www.gandara.com.mx

XD 8

The GEAX XD 8 is a patented piling rig designed to be fully reversible to the original excavator functions and the conversion time is very fast, about 30 min.
 The XD 8 is ideal for working in narrow and low headroom spaces such as inside existing buildings, its small size allows it to go and work where other machines can not.

- ☒ Powerful 1,5 litres diesel engine
- ☒ Quick coupling hydraulic hoses
- ☒ Telescopic mast
- ☒ 8 elements round interlocking telescopic kelly bar
- ☒ Minimum working height 2,8 m
- ☒ Mast automatic vertical alignment
- ☒ Automatic winch stop
- ☒ Solar panel piles fixture application



BASE		EUROCOMACH ES28ZT	
Engine	KUBOTA	D1503-M	
Engine power	kW (hp)	24.9 (33.4)	
Undercarriage length	mm	2100	
Undercarriage width	mm	1550	
Pumps	l/m	36+36+33	
ROTARY			
Nominal torque	kNm	8	
Drilling speed	rpm	20 - 40	
WINCHES			
Main winch line pull	kN	15	
Auxiliary winch line pull	kN	5	
CROWD SYSTEM			
Pull down force	kN	25	
Extraction force	kN	40	
Stroke	mm	900	
EXCAVATION			
Max pile diameter	mm	600	
Max pile depth	m	12	
Mast inclination 360°	deg	4	
DIMENSIONS			
Total weight	kg	3800	
Transport	m	W1,55/L3,133/H2,53	
Min working height	m	2.8	