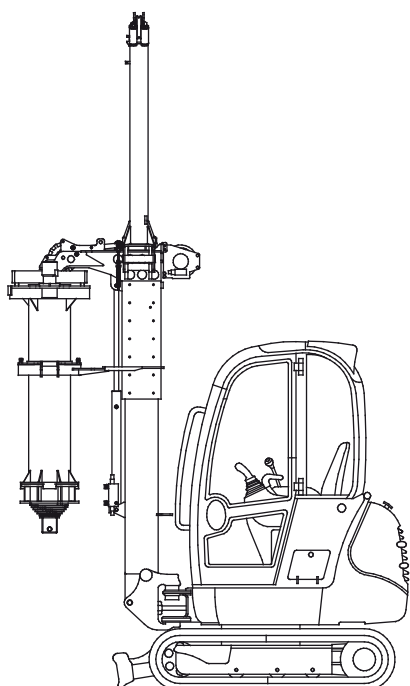


# XD SERIES

## XD series machines are the smallest hydraulic piling rigs in the world.

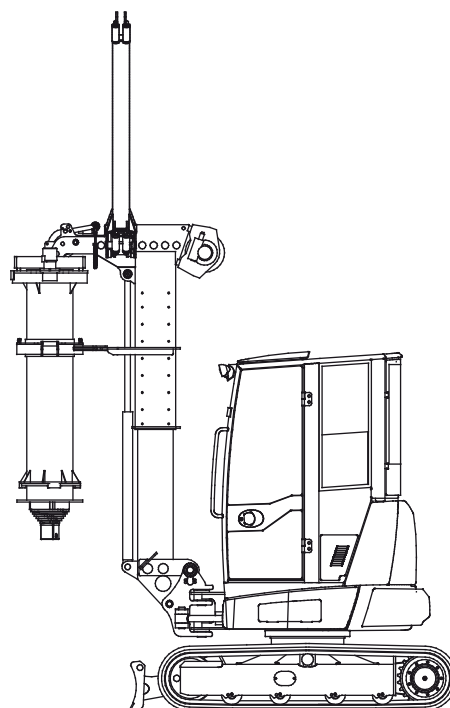
They are designed to work in extremely tight spaces, limited headroom, and jobsites difficult to access for any other standard piling rig. The minimum working height is 2.6 m (8.5') and the minimum width 1 m (3.28').

Despite the compact size, the XD series is equipped with all the features of larger rigs, such as auxiliary winch, depth meter, spin off speed and winch limit switches.



## XD 5

<b>Engine power</b>	JCB 14.7 kW - 19.7 hp
<b>Width over tracks</b>	1.002/1362 mm - 3.3/4.5 ft
<b>Nominal torque</b>	6 kNm - 4.400 lbf ft
<b>Main winch line pull</b>	8 kN - 1.800 lbf
<b>Max pile diameter</b>	500 mm - 20 in
<b>Max pile depth</b>	9.5/11 m - 31/36 ft
<b>Min working height</b>	2.600 mm - 8.5 ft
<b>Weight (w/o tool)</b>	2.400 kg - 5.300 lb



## XD 8

<b>Engine power</b>	Kubota 24.9 kW - 33.4 hp
<b>Width over tracks</b>	1.550 mm - 5 ft
<b>Nominal torque</b>	8 kNm - 5.900 lbf ft
<b>Main winch line pull</b>	15 kN - 3.370 lbf
<b>Max pile diameter</b>	600 mm - 24 in
<b>Max pile depth</b>	12 m - 39.5 ft
<b>Min working height</b>	2.800 mm - 9 ft
<b>Weight (w/o tool)</b>	3.800 kg - 8.350 lb

The patented drilling attachments include a rotary system along with a telescopic Kelly bar, mounted on the mast with a gimbal joint, which guarantees always a perfect verticality. A hydraulic cylinder and the interlocking Kelly bar provide the crowd force necessary to overcome harder soils.

In addition, the XD series machines are designed to allow for a full conversion back to the original excavator functionalities in less than 30 minutes.