

# EK40

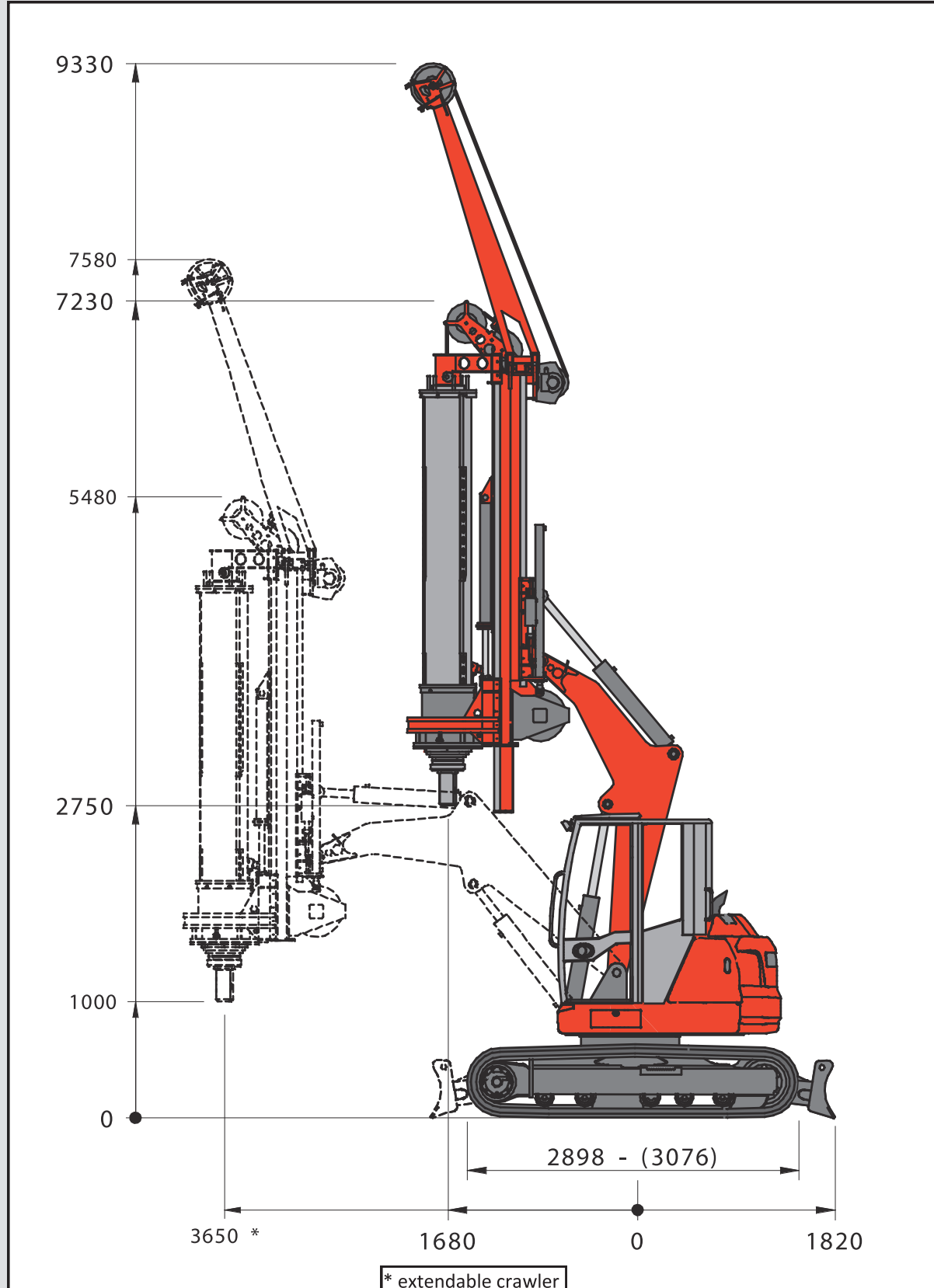


MULTI -PURPOSE PILING RIG

[www.geax.it](http://www.geax.it)

[info@geax.it](mailto:info@geax.it)

## GEAX EK40

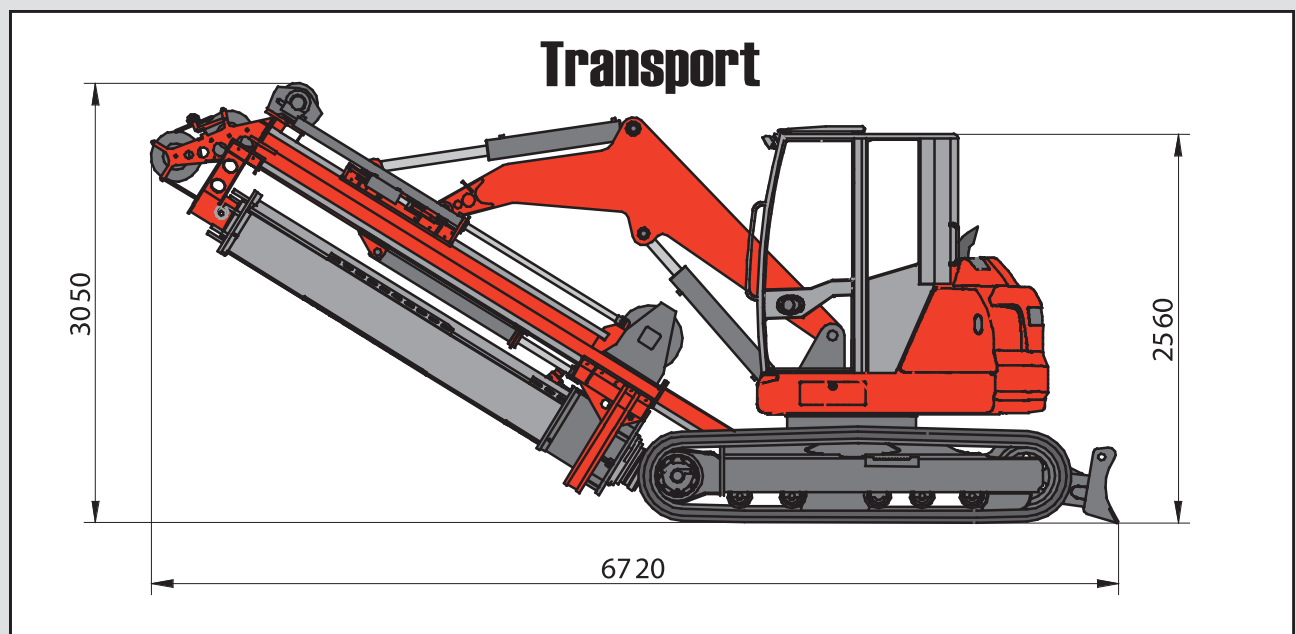


MULTI-PURPOSE PILING RIG

## GEAX EK40

### Main features:

- ☒ Excellent rigidity and lightness
- ☒ More precise and fast movements
- ☒ Wide range of tool positioning
- ☒ Excellent stability and manoeuvrability
- ☒ Simpler maintenance
- ☒ Better visibility for the operator
- ☒ Extendable crawler (optional)
- ☒ Automatic alignment of the mast (optional)
- ☒ Depth measuring device
- ☒ GPS system
- ☒ Configured to operate in various different drilling modes:
  - Rotary Kelly piling
  - CFA piling
  - Diaphragm walling
  - Hydraulic hammer
- ☒ Patented crowd system for CFA piles



Base EUROCOMACH	ESP100 (extendable crawler)	
Engine	Type	Yanmar 4TNV98
Engine power	Kw/hp	46,5/63,2
Undercarriage length	mm - ft	2998 (3076) - 9.85 (10)
Undercarriage width	mm - ft	2320 (2320/2920) - 7.6 (7.6/9.6)
Shoe width	mm - in	450 - 17.7
Hydraulic system		
Main pump	l/min	185
Auxiliary pump	l/min	20
Rotary		
Nominal torque	kNm - ft lbs	34 - 25,000
Drilling speed (2)	rpm	0-22 / 0-60
Winches		
Main winch line pull	kN - lbs	48 - 10,800
Main winch rope diameter	mm - in	15 - 0.6
Aux winch line pull	kN - lbs	16 - 3,600
Aux winch rope diameter	mm - in	9 - 0.35
<b>Excavation</b>		
Round interlocking kelly bar		
Max pile diameter	mm - in	1000 - 40
Max pile depth	m - ft	20 (24) - 65.5 (78.5)
Pull down force	kN - lbs	60 - 13,400
Extraction force	kN - lbs	60 - 13,400
Rotary + mast stroke	mm - ft	1000+1200 - 3.3+3.9
Transport		
Length	mm - ft	6720 - 22
Width	mm - ft	2320 - 7.6
Height	mm - ft	3050 - 10
<b>Operating weight</b>		
	t - lbs	12,5 (14) - 27,600 (30,900)

Technical specifications are subjected to change without prior notice

**GEAX s.r.l.**

Via Campoceraso 13 60027 Osimo (AN) Italy  
tel. +390717131953 fax. +39071715199  
info@geax.it www.geax.it



**GÁNDARA**

SU EQUIPO EN CIMENTACIÓN

Cristóbal de Olid # 498, Col. Reforma  
Veracruz, Ver. México C.P. 91919  
Teléfono: +52(229)100-22-01  
info@gandara.com.mx  
www.gandara.com.mx